
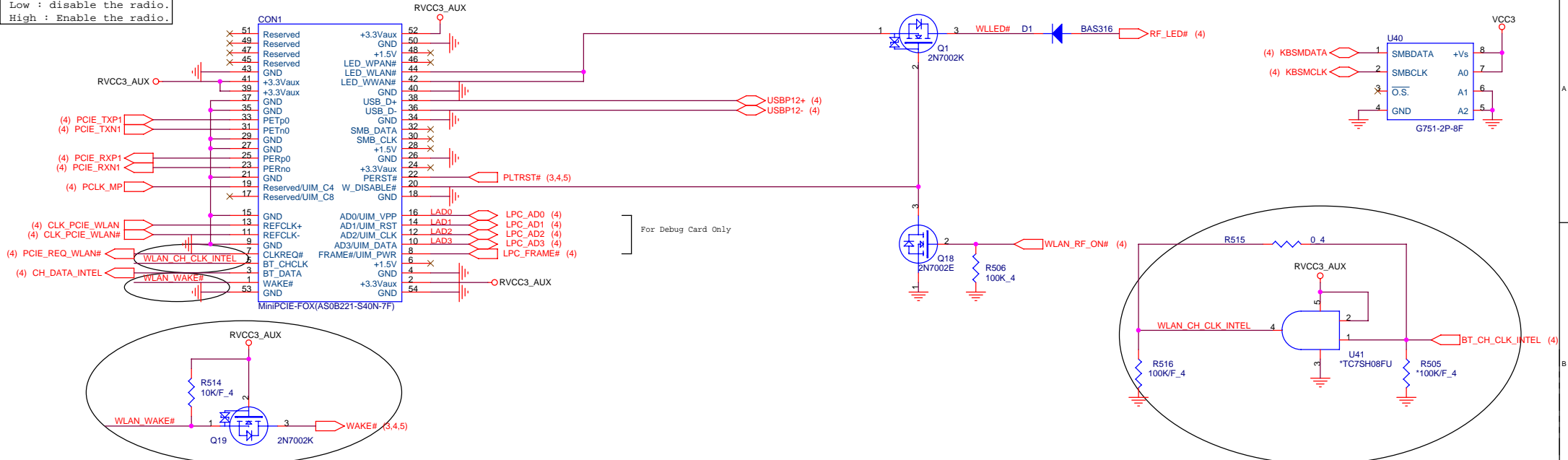


- 0618:
- P2 Add Q19 2N7002K.(For WLAN WAKE#)
- P2 Add R514 10K .(For WLAN WAKE#)
- P2 Add U41(No mount)(For BT_CH_CLK_Intel)
- P2 Add R516 100K/F(For BT_CH_CLK_Intel)
- P2 Add R515 0 ohm.(For BT_CH_CLK_Intel)
- P3 C480,C481 change from 27PF to 33PF.
- P4 CON8 change footprint
- P4 U3 change to G546A2P1UF.(Current protect issue)
- P4 CON7 modify Pin assignment.
- P4 R511,R512,R513 change from 100K to 1K.
- P4 CON4,CON5 change footprint.(for SMT request)
- P6 PR236 change to 330K/F.(For ACIN Modify)
- P6 PR237 change from 30K/F to 100K/F.(For ACIN Modify)
- P6 Delete PD12(For ACIN Modify)
- P6 Add PQ70,PQ71 2N7002E-T1-E3.(For ACIN Modify)
- P6 Add PR326 330K/F(For ACIN Modify)
- P6 Add PR327 10K/F.(For ACIN Modify)
- P6 PR211 change to 0805 2.2 ohm.
- P6 PR221 change to 0402.

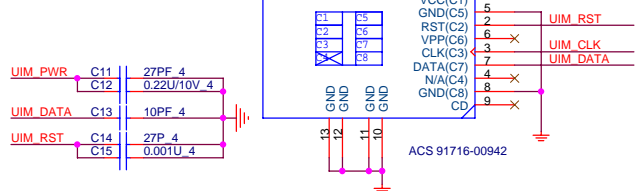
 QUANTA COMPUTER		
Change List		
<small>Title</small>		
<small>Size</small>	<small>Document Number</small>	<small>Rev</small>
<small>Custom</small>	GD3 Main Board	1A
<small>Date:</small>	Tuesday, August 18, 2009	<small>Sheet</small> 1 <small>of</small> 7

Mini PCI-E Card FOR WL

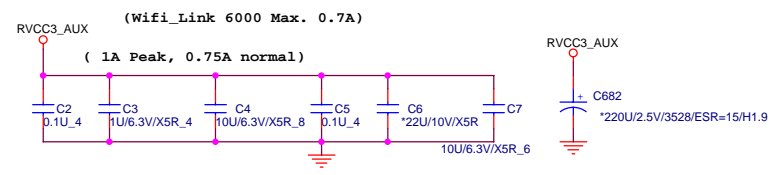
WLAN_RF_ON:
Low : disable the radio.
High : Enable the radio.



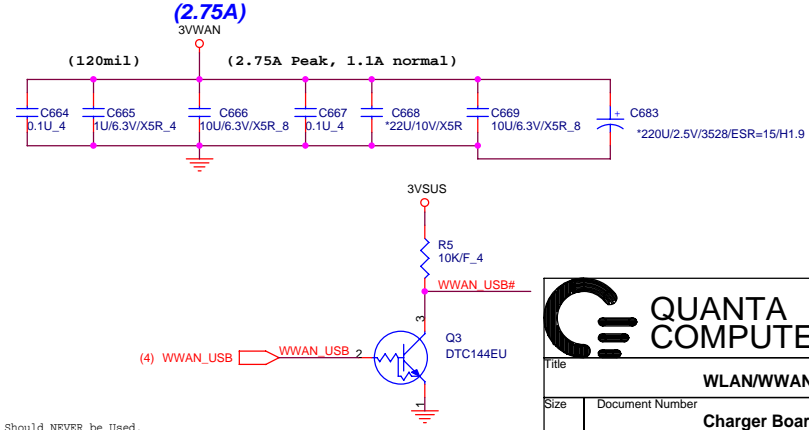
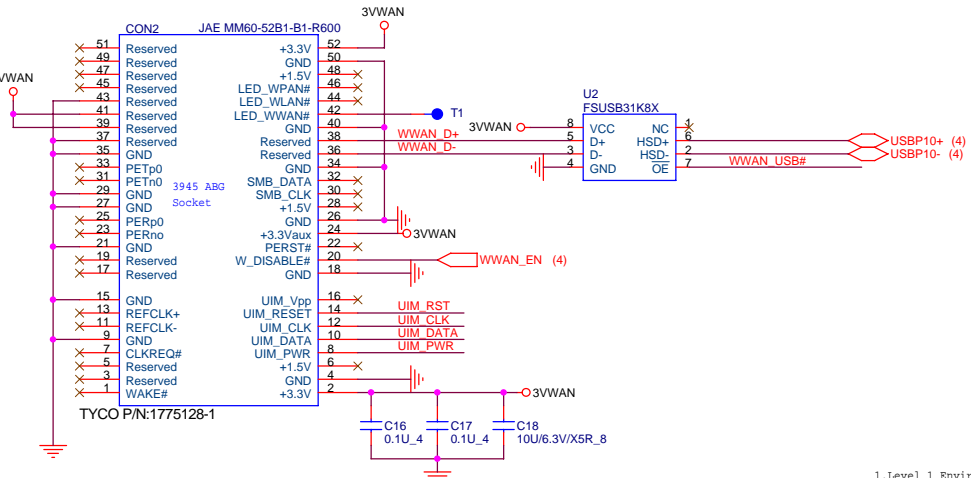
SIM CARD



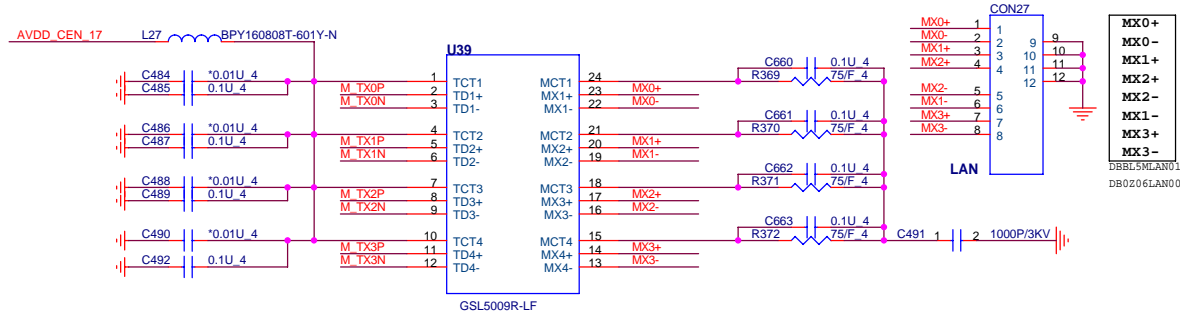
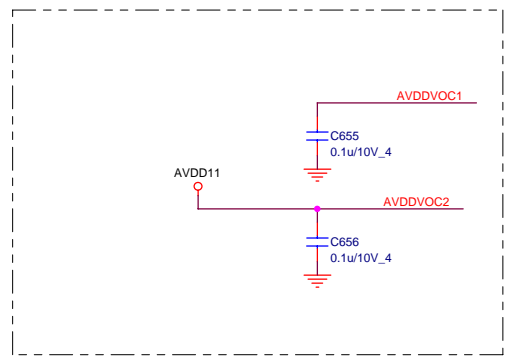
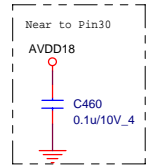
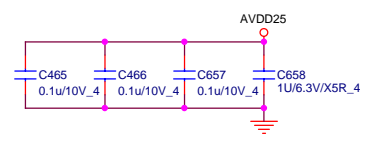
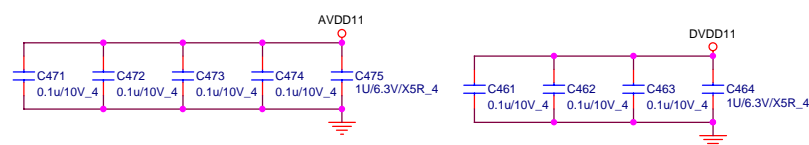
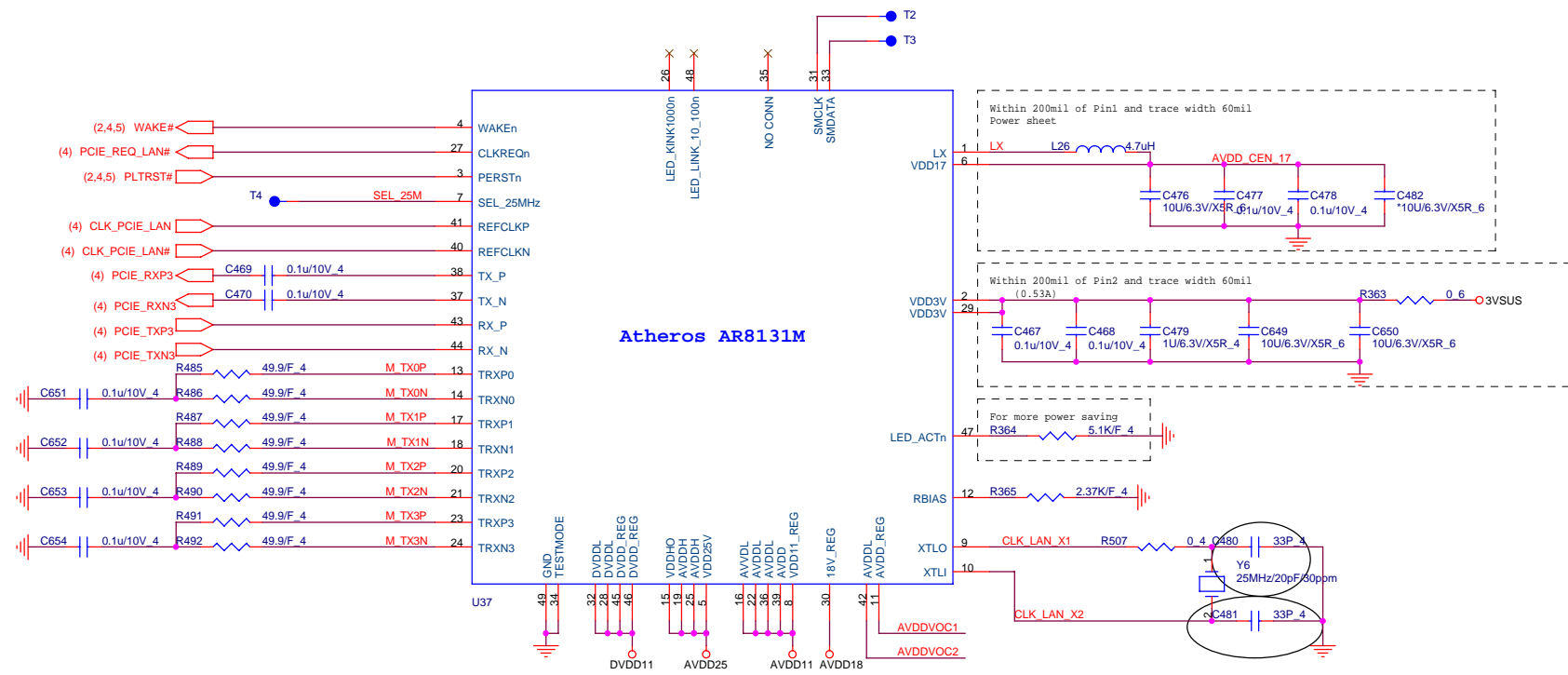
WLAN Power



Mini PCI-E Card FOR WWAN



Title		WLAN/WWAN	
Size	Document Number	Rev 2A	
Charger Board			



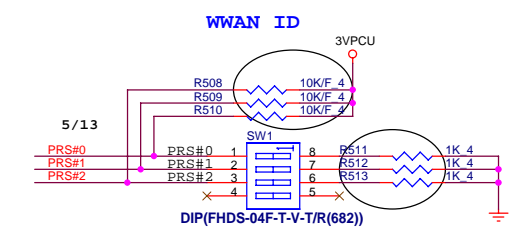
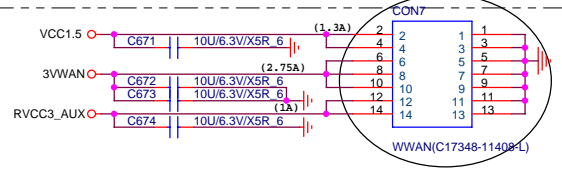
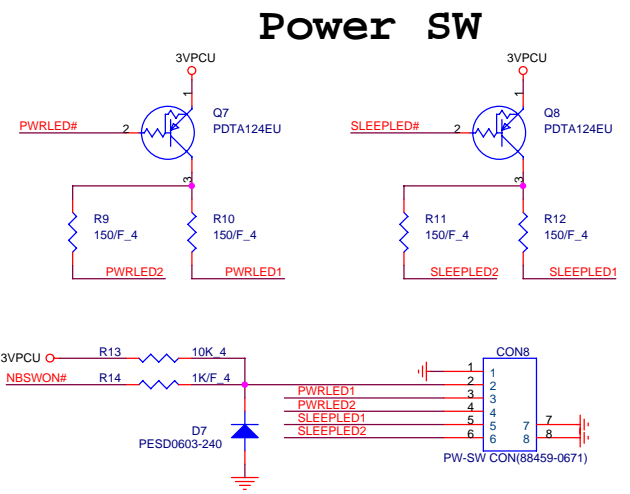
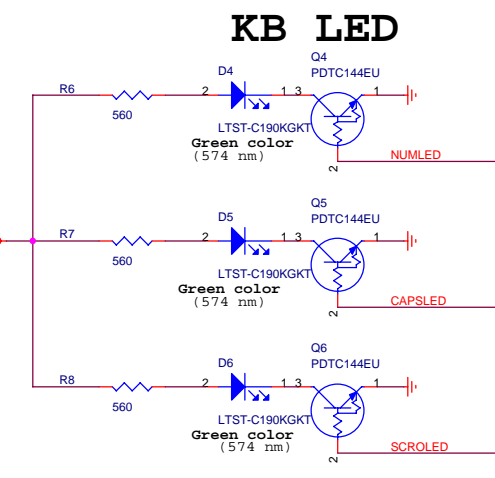
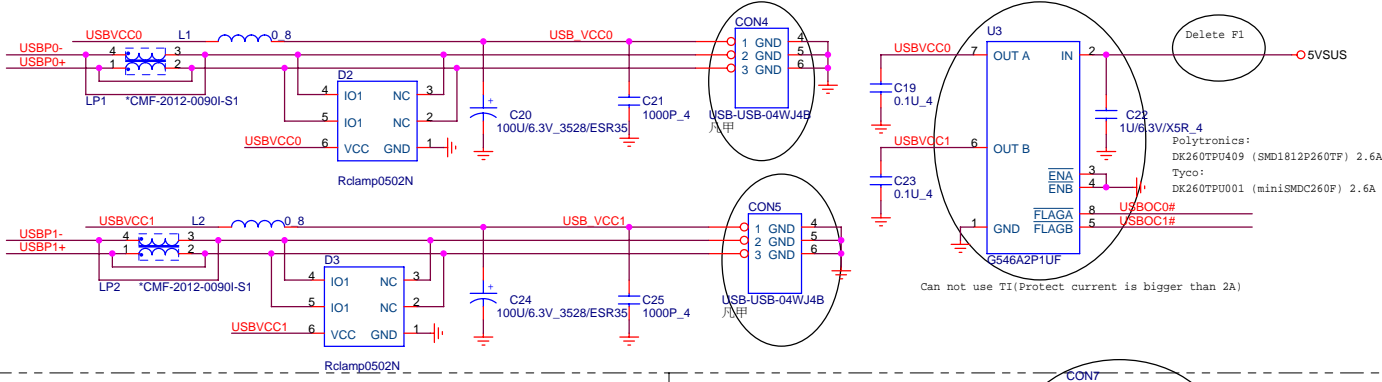
1. Level 1 Environment-related Substances should NEVER be Used.
 2. Purchase ink, paint, wire rods, and Molding resins only from the business Partners that Sony approves as Green Partners.

QUANTA COMPUTER

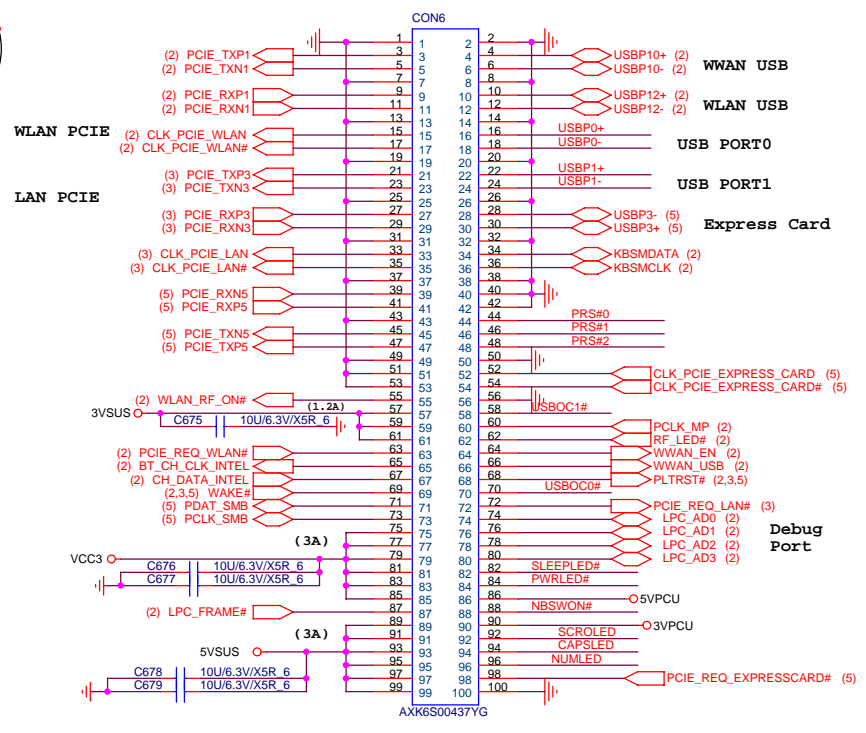
Title: **Atheros 8131M**

Size: Document Number: **Main Board** Rev: 2A

Date: Monday, August 10, 2009 Sheet: 3 of 7



PRS#2	PRS#1	PRS#0	WWAN SKU
0	0	0	(TV Tuner)
0	0	1	HSUPA(W/O GPS)
0	1	0	HSUPA(W GPS)
0	1	1	-
1	0	0	EVDO (CN)
1	0	1	EVDO (US)
1	1	0	-
1	1	1	None



QUANTA COMPUTER

Title: **USB**

Size: Document Number

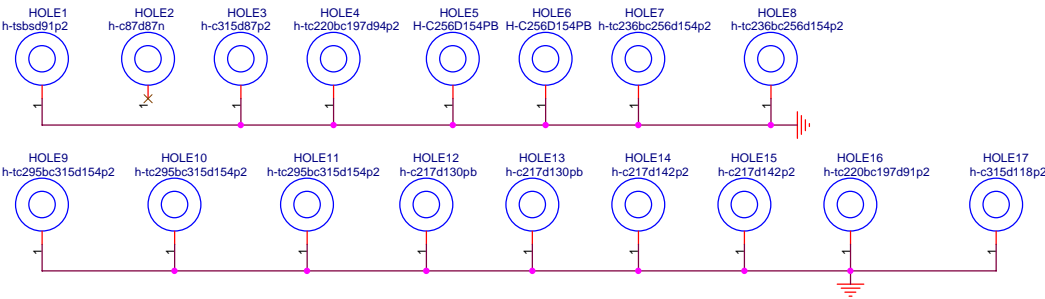
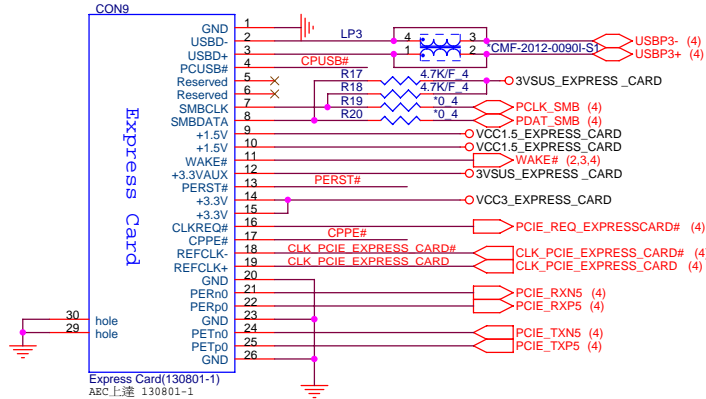
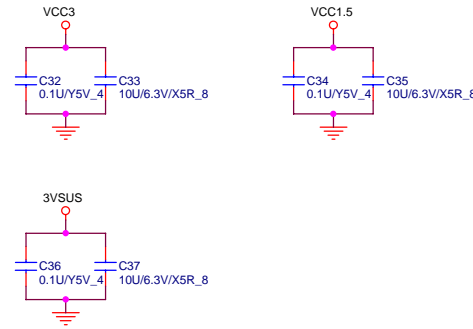
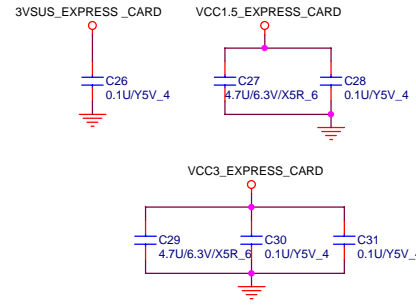
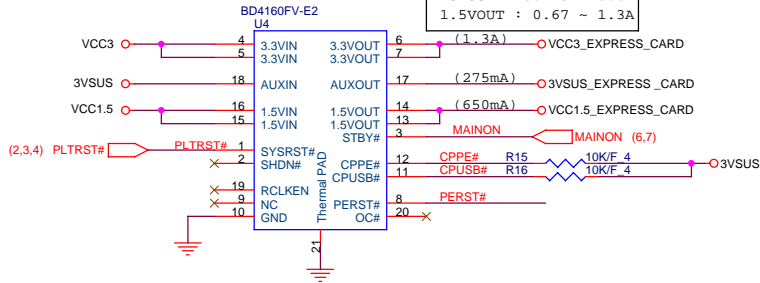
Rev: 2A

Date: Thursday, August 27, 2009 Sheet 4 of 7

1.Level 1 Environment-related Substances Should NEVER be Used.
 2.Purchase ink, paint, wire rods, and Molding resins only from the Business Partners that Sony approves as Green Partners.

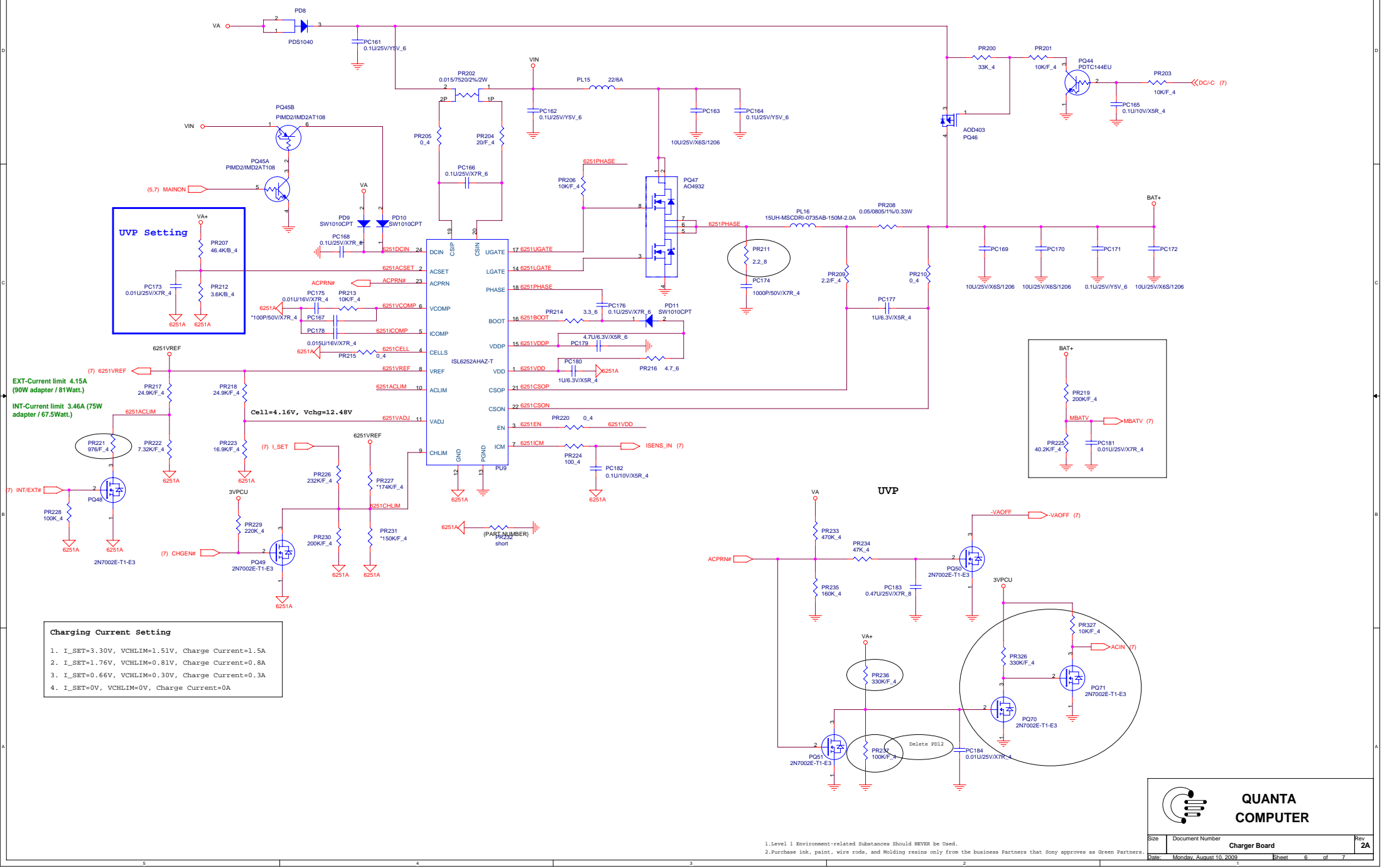
EXPRESS CARD

Short current:
 3.3VOUT : 1.35 ~ 2.5A
 AUXOUT : 0.275 ~ 0.6A
 1.5VOUT : 0.67 ~ 1.3A



Title			Express Card
Size	Document Number	Rev 2A	
Date: Thursday, August 27, 2009			Sheet 5 of 7

1. Level 1 Environment-related Substances should NEVER be Used.
 2. Purchase ink, paint, wire rods, and Molding resins only from the business Partners that Sony approves as Green Partners.



UVP Setting

VA+
 PR207 46.4K_{B,4}
 PC173 0.01U/25V/X7R₄
 PR212 3.6K_{B,4}
 6251A 6251A

EXT-Current limit 4.15A (90W adapter / 81Watt.)
INT-Current limit 3.46A (75W adapter / 67.5Watt.)

Cell=4.16V, Vchg=12.48V

(7) I_SET
 PR226 232K_{F,4}
 PR227 174K_{F,4}
 6251A 6251A

Charging Current Setting

- I_SET=3.30V, VCHLIM=1.51V, Charge Current=1.5A
- I_SET=1.76V, VCHLIM=0.81V, Charge Current=0.8A
- I_SET=0.66V, VCHLIM=0.30V, Charge Current=0.3A
- I_SET=0V, VCHLIM=0V, Charge Current=0A

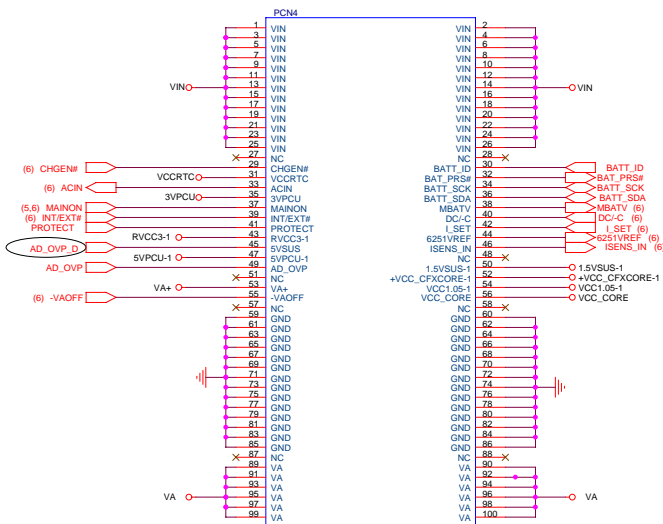
UVP

VA+
 PR233 470K₄
 PR234 47K₄
 PC183 0.47U/25V/X7R₅
 PR235 160K₄
 6251A 6251A

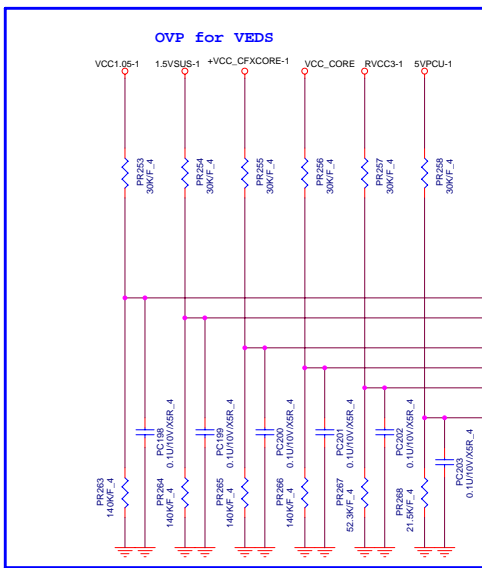
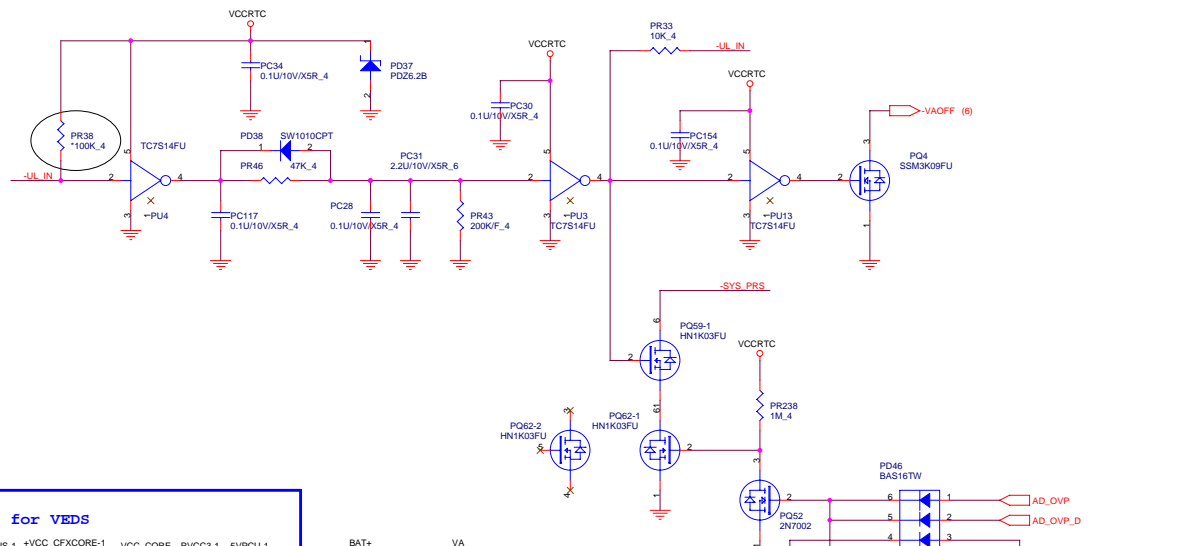
3VPCU
 PR229 220K₄
 PR230 200K_{F,4}
 PR231 150K_{F,4}
 6251A 6251A

ACIN (7)
 PR327 10K_{F,4}
 PR326 330K_{F,4}
 PC184 0.01U/25V/X7R₄
 6251A 6251A

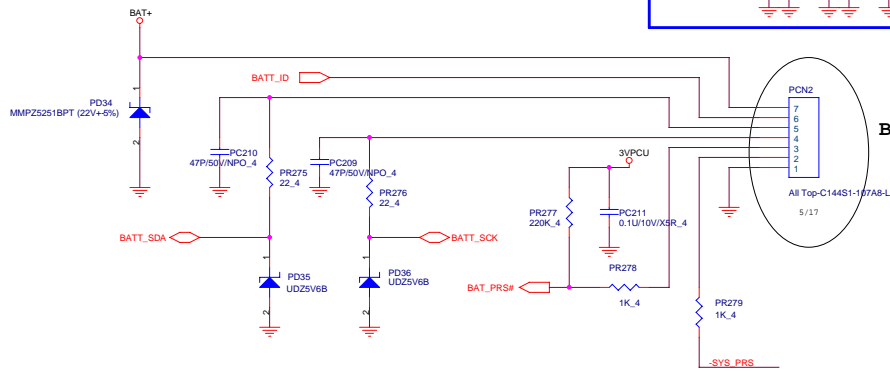
1. Level 1 Environment-related Substances should NEVER be used.
 2. Purchase ink, paint, wire rods, and Molding resins only from the business Partners that Sony approves as Green Partners.



Quanta P/N

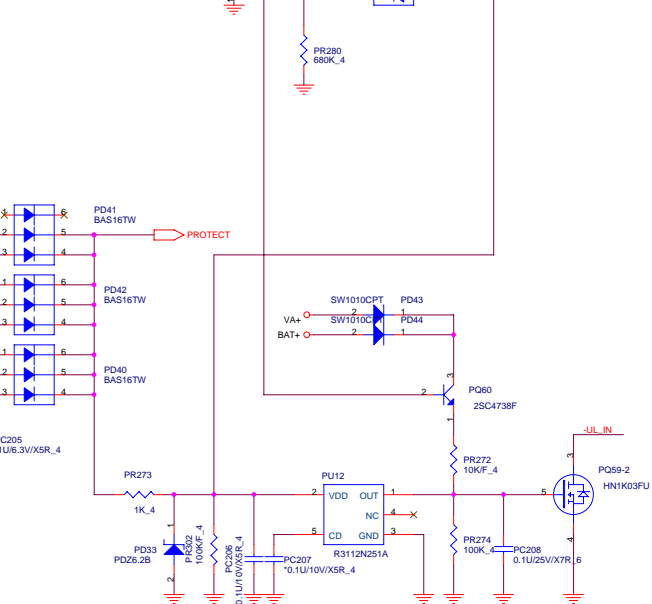


N.I.



BATTERY CONNECTOR

All Top-C144S1-1177A8-L 5/17



QUANTA COMPUTER

Size	Document Number	Rev
	Charger Board	2A
Date:	Monday, August 10, 2009	Sheet 7 of 7

1. Level 1 Environment-related Substances should NEVER be Used.
 2. Purchase ink, paint, wire rods, and Molding resins only from the business Partners that Sony approves as Green Partners.